

# SERIES 227 ATC® CIRCUIT BREAKERS (Low-Profile)



**ATC® CIRCUIT BREAKERS**  
Manual Reset

## SPECIFICATIONS

**Single Pole Thermal Type Breakers**

**Rating:** 5-30A, 28VDC.

**Interrupt Rating:** 2000A @ 28VDC.

**Operating Temperature Rating:** -40°F (-40°C) to 185°F (85°C).

**Storage Temperature Rating:** -40°F (-40°C) to 260°F (125°C).

**Materials:** UL-Rated 94V-0 thermoplastic body. Tin-plated copper alloy terminals.

**Marking:** Cover is color-coded to amperage ratings.

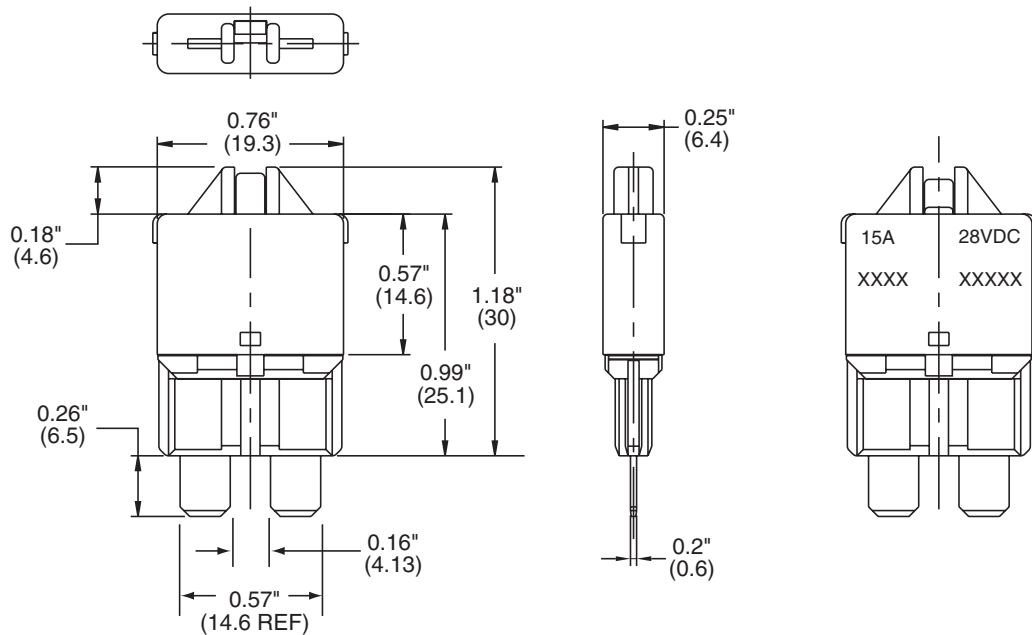
**Termination:** 5.2mm wide blades compatible with ATC® type fuse blocks.

**Compliances:** SAEJ553; SAEJ1171 (ignition protected).

Consult factory for time characteristic curves.



## DIMENSIONS (Dims. shown are for reference only. Consult factory for latest prints)



## PART NUMBERING SYSTEM

Series	Rating	Marking
227	05 06 75 10 15 20 25 30	— 00
	05 – 5 amps [LT. Brown (Tan)] 06 – 6 amps [Moss Green] 75 – 7.5 amps [Brown] 10 – 10 amps [Red] 15 – 15 amps [Blue] 20 – 20 amps [Yellow] 25 – 25 amps [White] 30 – 30 amps [Green]	00-Std. Marking (Consult factory for special marking.)